

# § BOX TRANSDUCER §

## AC SPECIAL TRANSDUCER

## MAXIMUM INDICATING VOLTAGE TRANSDUCER

### Standard specifications

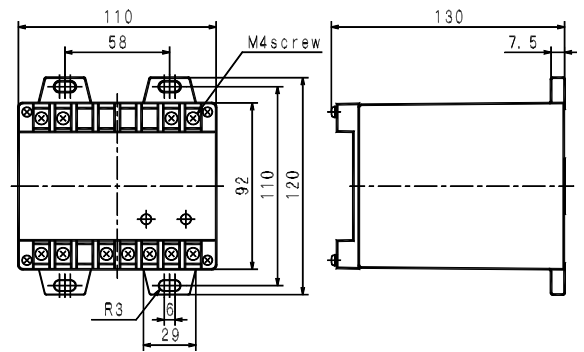
Item	Specification		
Type	MDVTT2-83A		
Standard	In conformity with JIS C1111-1989		
Tolerance	± 1%		
Input	150V, 259V, 300V (product range: 50-300V)		
Output (load resistance)	5V ( 1k )	10V ( 2k )	
	1-5V ( 1k )	1mA ( 10k )	
		4-20mA ( 500 )	
Reset method	External switch (peak hold output)		
Reset time	20ms (peak hold output)		
Auxiliary supply	AC100/110V ± 15% (50/60Hz) 5VA	5VA	
	AC 200/220V ± 15% (50/60Hz) 5VA	5VA	
	DC 100/110V 8W		
Response time	0.2 sec. (time it takes to reach 90% of final steady value)		
Output ripple	1% P-P against output span		
Influence of temperature	23 ± 20 ± 1%		
Overvoltage	Input	2 times 10 sec. 1.2 times continuity	
	Auxiliary supply	1.5 times 10 sec. 1.2 times continuity	
Insulation resistance	Between electric circuit and outer case (earth)	DC500V megger	50MΩ
	Between input terminal and output/reset terminal		
	Between input/output/reset and auxiliary supply terminal		
	Between reset terminal and output		
Withstand voltage	Between electric circuit and outer case (earth)	AC2000V (50/60Hz) 1 min.	No abnormality
	Between input terminal and output/reset terminal		
	Between input/output/reset and auxiliary supply terminal		
	Between reset terminal and output	AC500V 1min.	
Impulse withstand voltage	Between electric circuit and outer case (earth)	5kV 1.2/50µs positive/negative polarity 3 times each	No abnormality
	Between input/ output/ reset and auxiliary supply terminal		
Appearance color	Black (munsell N1.5)		
Operating temperature/humidity range	-10- + 55 , 30-85%RH		
Storage temperature range	-40- + 70		
Weight	Approx. 1.2kg		



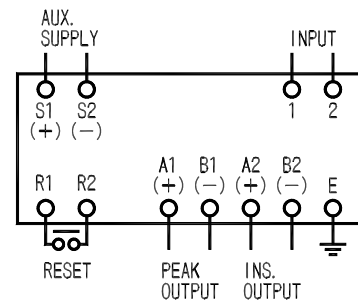
**MDVTT2-83A**

(120 × 110 × 130mm/1.2kg)

### Dimensions (mm)



### Connection diagram



Non-insulation (minus common) between instantaneous output and peak output terminals.

Make sure to reset the device before use each time the power is turned on.

As a special response, 0.1s/99% (only available during start-up) is manufacturable.

### Purchase specifications

Type	Input	Output	Load resistance
Auxiliary supply	Quantity		